

## Roof connection systems

Dependent upon roof construction and operating conditions the equivalent material, connecting option and construction height is chosen. Accordingly single units on top of a flat roof have to be mounted onto a plinth. Roof lights are set into a frame, which has to be reinforced by stiffening bars at specified gaps due to its length. Units for example mounted on a shed roof or on a saddle roof ridge will be connected by means of flanges as described hereafter.

Principally it is distinguished between two main versions: the EUROSOCKET, a plinth onto which a device is installed and the EUROZARGE, a frame that holds continuous roof lights or integrated devices. The plinths and frames are constructed in such a way that an 80 mm insulation can be fitted at the outside and that a roofer can execute his sealing works either with foil, bituminous sheeting or metal sheets. The height of EUROSOCKET and EUROZARGE is 350 mm by default. Depending on the type of installation and with due regard to the water-carrying roof area plinth or frame heights may vary from 150 mm to 500 mm.



EUROSOCKET



EUROZARGE

### Benefits:

- bespoke adaptation to all types of roofs
- weather-proof
- non combustible according to the requirements of „fire prevention“
- available in different heights
- available in different material thickness depending on static requirements
- layout available with screwed, welded or latching parts
- thermally insulated or thermally separated depending on version
- installation directly on roof truss purlin construction
- easy mounting, as no additional border frames necessary
- customised colouring by powder coating

### Versions:

When mounting base frames for skylight systems there are two different ways, depending on the construction or respectively the static calculations:

- cantilever – the base frame rests on the substructure at only two points
- self-supporting – the base frame is supported by the substructure over the whole length.

Generally, the EUROSOCKET units are always self-sustainingly supported over the whole length by the trimming timber.

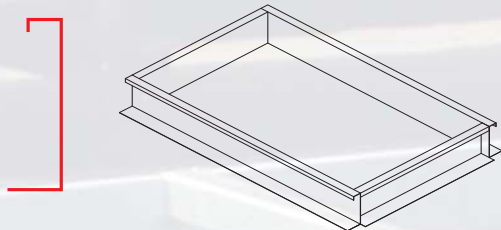
For a trouble-free mounting onto the substructure both the EUROSOCKET and the EUROZARGE are manufactured with a 150 mm wide circumferential bottom flange.

## Roof connection systems

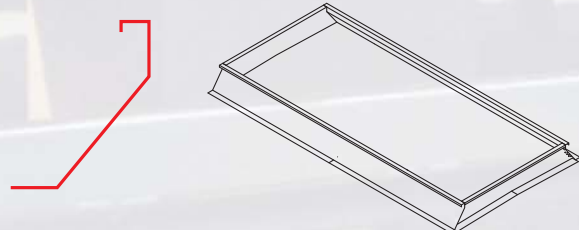
The roof connection system type EUROSOKKEL is available as a screwed or plug-in construction, whereas the plug-in construction can only be used for self-supporting layouts. For stability reasons only the screwed version of EUROZARGE is used in connection with skylight systems.

### Profile types:

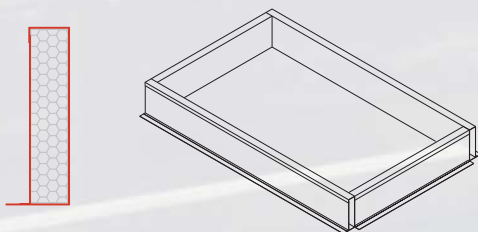
Plinths as well as frames are available in four different types of profiles:



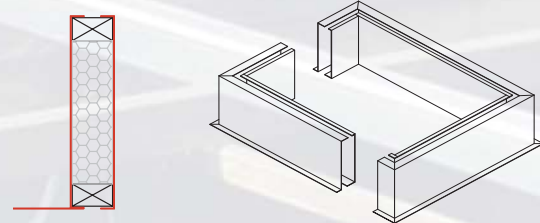
single skin plinth profile



slanted single skin plinth profile



plinth profile ISO – thermally insulated



plinth profile THERMO – thermally separated

### Materials:

In order to cover the varied installation options single skin folded base frames / plinths either upright or slanted have proved their worth for many years. The standard version of the roof connecting system is made of hot-dip galvanized steel sheets. For higher demands on material an aluminium construction is also available.

EUROSOKKEL single-skinned - latched hot-dip galvanized steel sheet  
alternatively - screwed hot-dip galvanized steel sheet  
- latched aluminium AlMg3  
- screwed aluminium AlMg3  
- welded aluminium AlMg3

double-skinned - latched aluminium AlMg3  
- screwed aluminium AlMg3  
- welded aluminium AlMg3

EUROZARGE single-skinned - screwed hot-dip steel sheet  
alternatively - screwed aluminium AlMg3

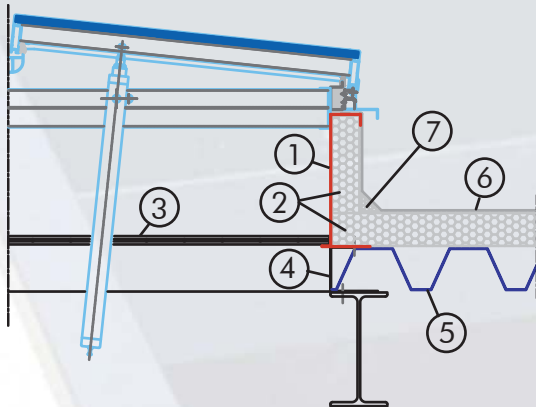
double-skinned - screwed aluminium AlMg3

The thickness of material is chosen according to the static requirements of the equivalent building.

## Roof connection systems

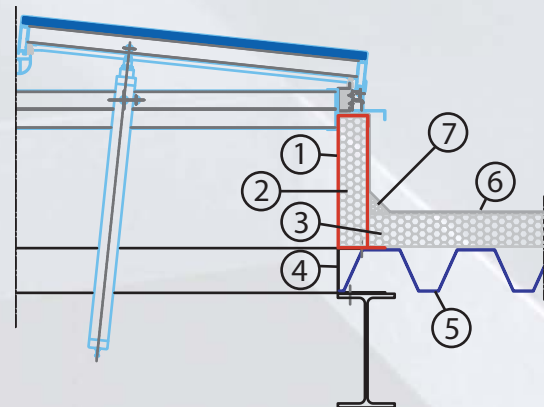
### Installation examples:

NSHE on EUROSOCKEL single-skinned straight (insulation by customer)



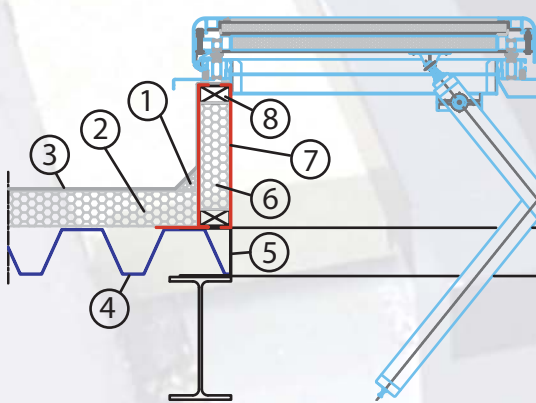
- 1.) galvanized steel frame with integrated rest for a fall-through-safety grid
- 2.) insulation by customer
- 3.) fall-through protection (optional)
- 4.) border frame by customer
- 5.) trapezoidal metal sheet by customer
- 6.) foil by customer
- 7.) wedge-shaped insulation by customer

NSHE on EUROSOCKEL ISO double-skinned and thermally insulated



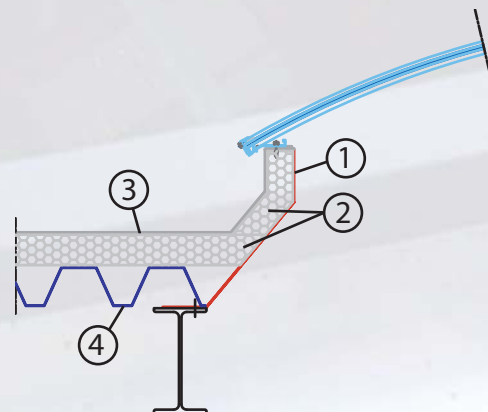
- 1.) double-skinned alu-frame
- 2.) insulation by roda
- 3.) insulation by customer
- 4.) border frame by customer
- 5.) trapezoidal metal sheet by customer
- 6.) foil by customer
- 7.) wedge-shaped insulation by customer

NSHE on EUROSOCKEL THERMO thermally separated



- 1.) wedge-shaped insulation by customer
- 2.) insulation by customer
- 3.) foil by customer
- 4.) trapezoidal metal sheet by customer
- 5.) border frame by customer
- 6.) insulation by roda
- 7.) alu- or galvanized steel frame
- 8.) thermal separation by means of wooden insert by roda

EUROLIGHT continuous roof lights on top of a slanted single-skinned



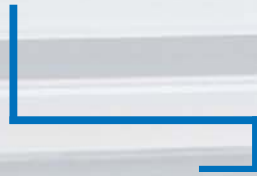
- 1.) frame by roda
- 2.) insulation by customer
- 3.) foil by customer
- 4.) trapezoidal metal sheet by customer

## Roof connection systems

### Flanges:

When mounted on shed roofs, saddle roofs or in vertical position, the units can be directly connected to the roof due to the installation situation. For this, five different flange versions are available depending on the roof style. If none of these versions suits the connection, special constructions can be custom-built on request.

### Flange versions:



F1 - use in glazing



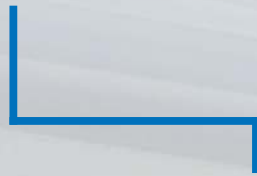
F2 - use under a corrugated metal roof



F3 - use on top of a corrugated metal roof



F4 - direct adhesion



F5 - use on a plinth



PHOENIX on a EUROSOCKEL curb



EUROZARGE frame for a skylight



Mounted on a Northlight roof



PHOENIX mounted on a radius flange